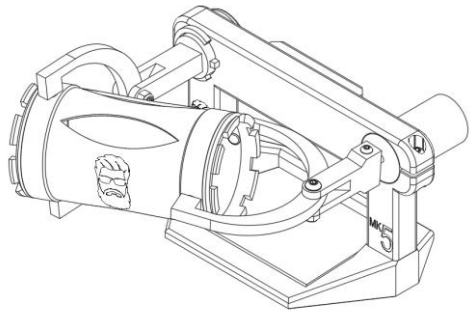
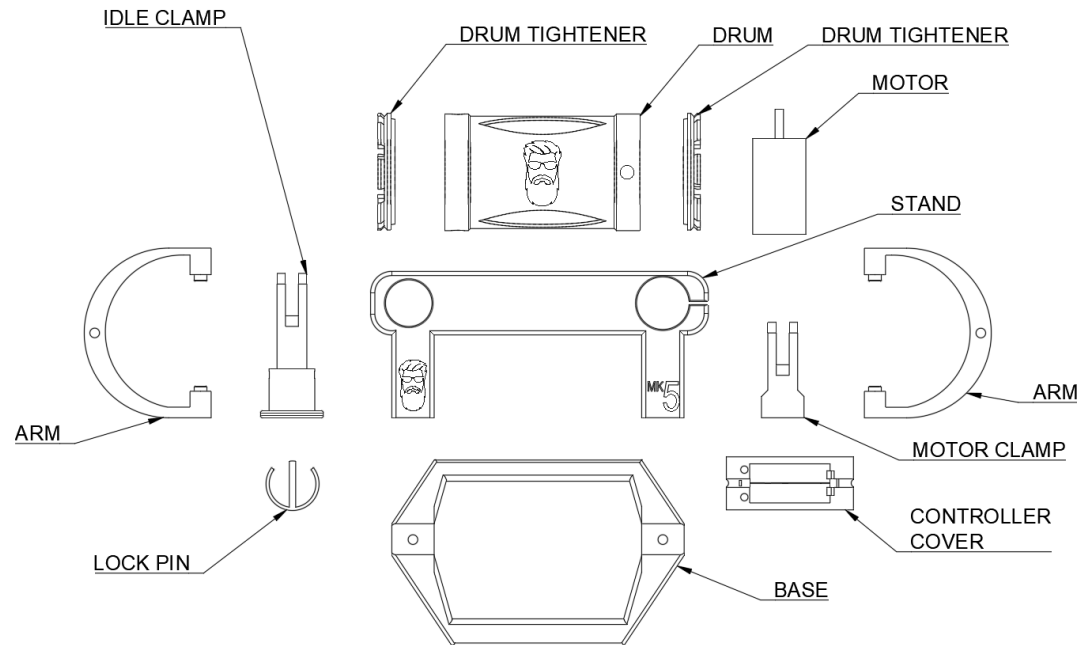


INSTRUCTIONS



INVERSE KINEMATIC MINI MIXER

PARTS DIAGRAM



PARTS LIST

- 1x Drum
- 1x Stand
- 1x Base
- 1x Electronics Cover
- 1x Motor Clamp
- 1x Idle Clamp
- 1x Lock Pin
- 2x Arm
- 2x Drum Tightener

- 5x M4x19 Bolt
- 5x M4 Lock nut
- 1x M3x11 Bolt
- 1x M3 nut
- 4x Rubber Band
- 1x Light Grease
- 1x Adhesive Foam

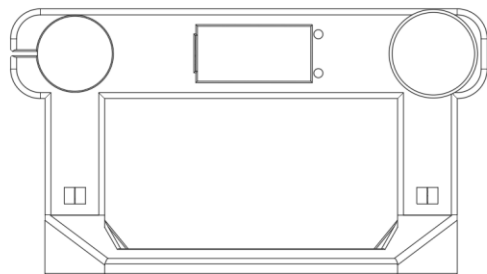
1x Motor, Electronics and Switch Assembly (pre-wired)

Note: You will need 1.5mm & 2mm hex keys for assembly, these are not included.

STEP 1

Insert two M4 Lock nuts into the square holes on the lower back of the stand. The small ring on the locknut should be facing up.

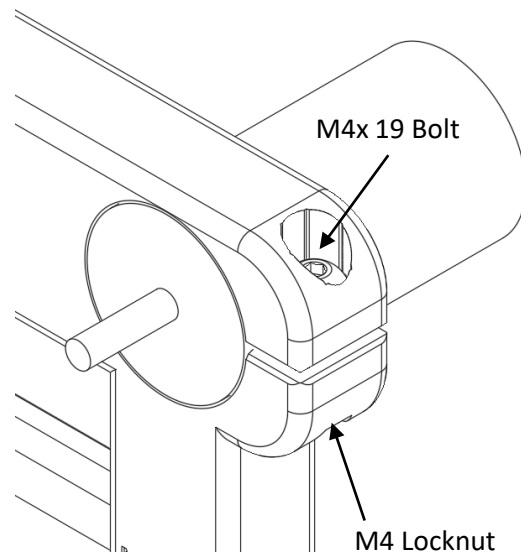
Insert (2) M4x19 Bolts into the base from below, these should screw into the Lock Nuts from previous step.



Note: These parts should be firmly connected, but do not put excessive pressure when tightening.

STEP 2

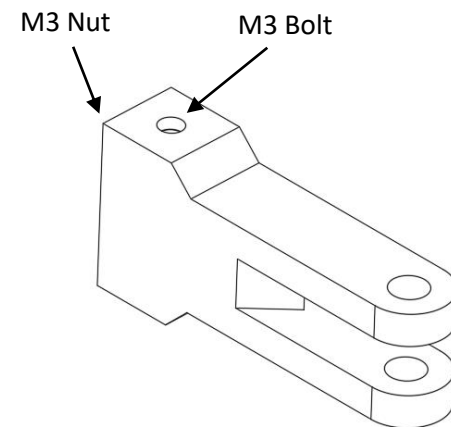
Insert motor into stand. The front should be flush with the front of the stand. Using a M4x19 Bolt and Nut as indicated below, secure the motor into the stand.



Note: This just needs to be tight enough to prevent the motor from spinning in the hole.

STEP 3

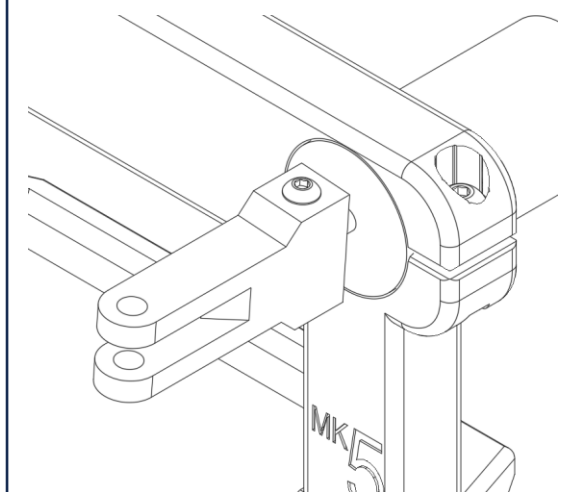
Insert M3 Nut into the slow on the back of the motor clamp. Insert M4 Bolt into the hole in the top of the motor clamp.



Note: Only tighten enough to engage the nut.

STEP 4

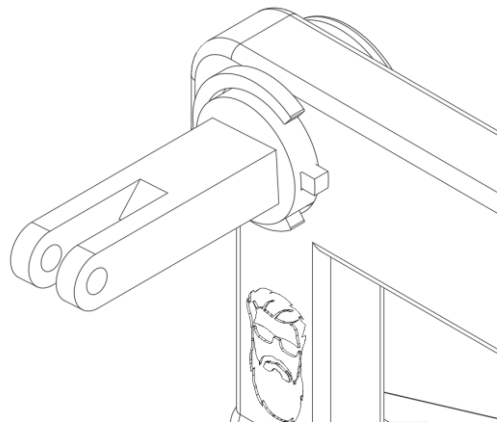
Slide Motor Clamp onto the shaft of the Motor, ensuring the flat area of the shaft faces the bolt from the previous step. Tighten firmly.



STEP 5

Apply grease to motor clamp, then slide the Idle Clamp into the remaining hole on the Stand, try to avoid spreading grease if possible.

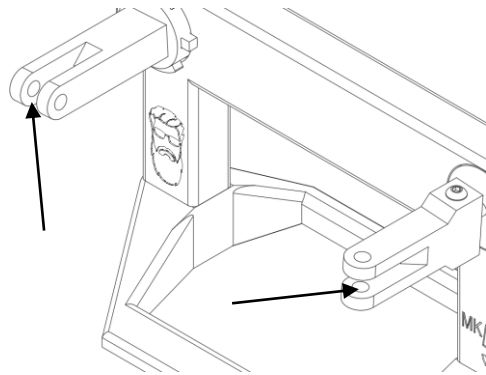
Secure with the Locking Pin.



Note: The area that requires grease is the area of contact between the Stand and the Idle Clamp.

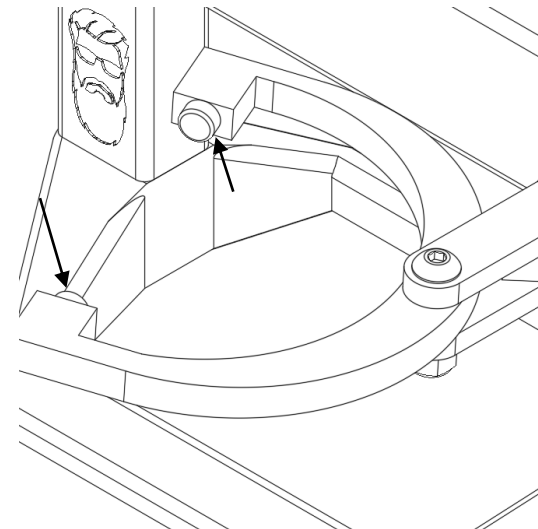
STEP 6

Apply grease to the inside of the areas indicated below, where the motor and idle clamps will contact the arms.



STEP 7

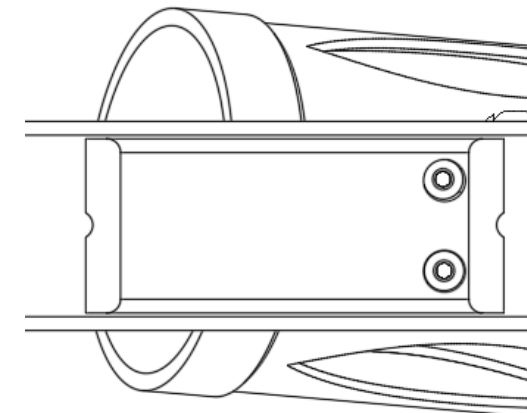
Attach arm to motor clamp with 1x M4x19 Bolt and 1x M4 Nyloc nut. Repeat for the Idle clamp. Lubricate the points indicated with the arrow on each arm.



STEP 8

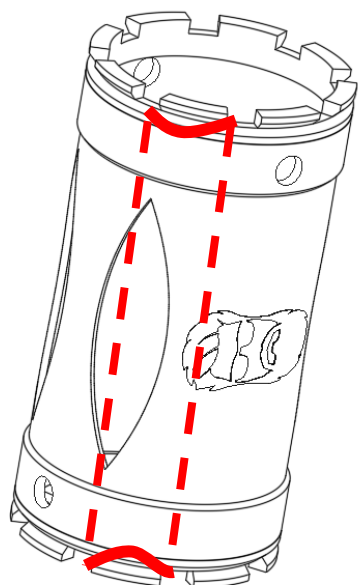
Locate double sided adhesive foam, and stick this to the back of the electronics, then use this to attach the electronics board to the Stand Back.

Finally, using 2x M3 Screws attach the stand back to the stand.



STEP 9

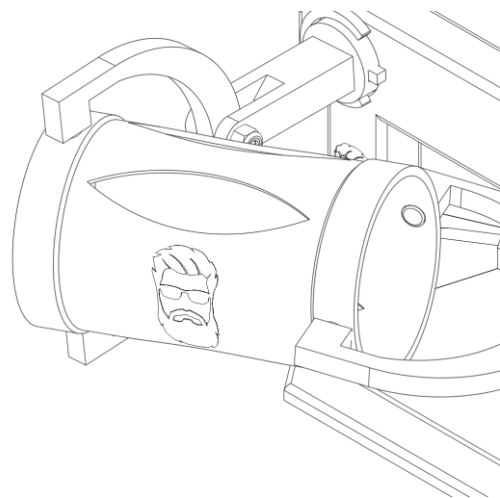
Create the drum assembly by looping elastic bands over the teeth of the tightener, through the drum and then over the other tightener.



Repeat this until there are four bands equally distributed through the drum.

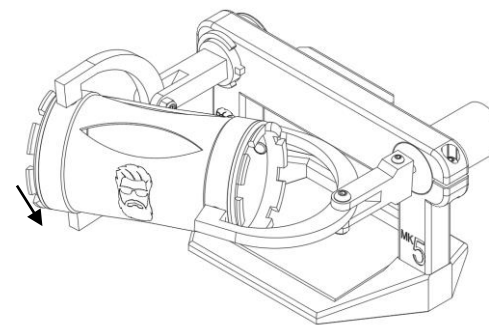
STEP 10

Attach drum to arms. It is recommended you attach to the motor side first, as this side will not rotate without power.



FINISH

Your assembly is completed! You can now use this device by inserting items into the drum, and then twisting one of the tighteners to secure the item within the drum.



THANK YOU

Thank you for purchasing the kit. I really hope you enjoy it and it gives you many hours of effortless mixing.

If you have any feedback, would like to share your design, or wish to leave a review, you can contact me on the below details.



 @mrhodes
 @markrhodesmaker
 @markrhodesmaker
 contact@markrhodesmaker.com